

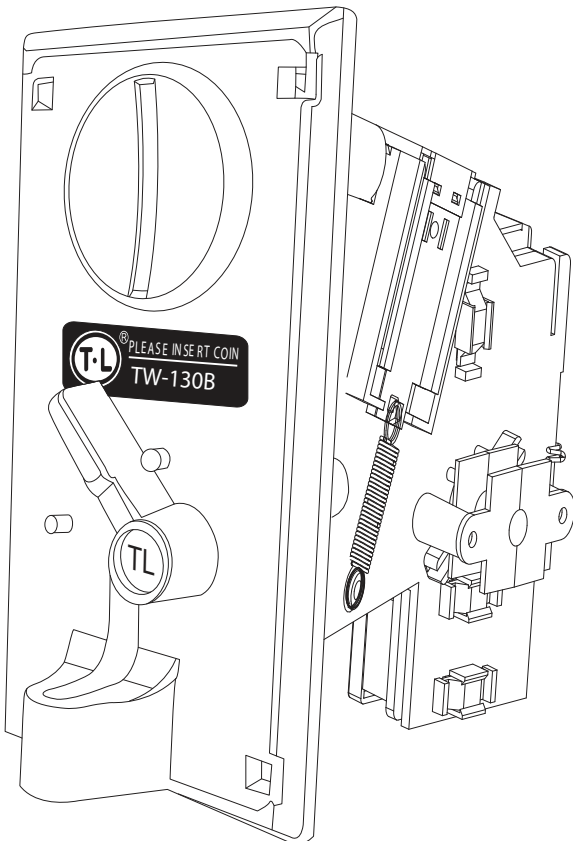
## User Guide

### 1. Productspecifications:

- Working temperature : -15°~+50°C  
 Diameter of coin 20mm~30mm  
 Thickness of coin: 1.7mm~2.4mm  
 Input: 12V== 75mA  
 Coin signal output: OC (open collector) type

### 2. Product characteristics:

1. Suitable for all kinds of tokens
2. CPU program controls & scores correctly
3. EMI function program
4. Special design: "Precise/Normal" switch allows coin to pass fluently
5. Back cover is removable – convenient for cleaning or jammed coins



### 3. Product Manual:

1. Instead of the plastic coin with a sample coin.
2. Choose coin polarity switch(SW1)according to machine main board,N.C. is for PC board with revolving lamp. N.O. is for other PC board.
3. Choose coin time switch(SW2) according to machine main board, Fast Type (25ms) and Medium type (50ms) are fit for common machine, Slow type (100ms) suits for Amusement machine.
4. VR is the precision adjustment knob. Turn clockwise to select slack. Turn counter-clockwise to select strict. The knob comes factory adjusted.
5. Set SW3 (Precise Switch) to normal,or adjust the VR knob by turning in a clockwise direction when coin insertion is not smooth.

### 4. Common fault handling:

NO.	Normal fault	Method
1	Insert coin but no scores	1.Signal line hadn't been connected.2.Check the line whether it is connected in right way.3.Make sure the socket is not in a poor contact.4.Make sure the resistance(on PC board) had been connected.5.Check the direction of polarity switch.
2	Retain coin	1.Adjust the coin time switch.2.Check whether there is foreign matter in the groove. 3.Coin goes out not smoothly.
3	Coin insert unsmoothly	1.Clockwise turn the VR knob. 2.Turn the precise switch to normal side.3.Change for a new sample coin.
4	Coin can't pass	1.Make sure the socket is not in a poor contact.2.Check the line whether it is connected in right way.3.Check whether there is foreign matter in the groove. 4.The sample coin is not in right direction.
5	Pass forgery coin	1.Counterclockwise turn the VR knob. 2.Set the precise switch to precise side.

### 5. Wiring setting:

- 1.Gray line — Counter
- Red line — DC+12V
- 2.White line — Coin signal
- 3.Black line — Ground line
- 4.Gray line — Sample coin

