

MARS[®]

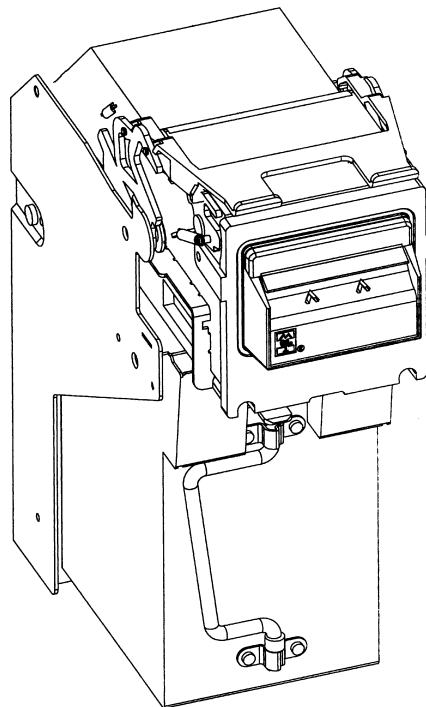
Bill Acceptor

ZT Series 1000

ZT SERIES 1100

SPARE PARTS GUIDE

for US, Canada, and Australia



VERSION 5 – May 1999

TABLE OF CONTENTS

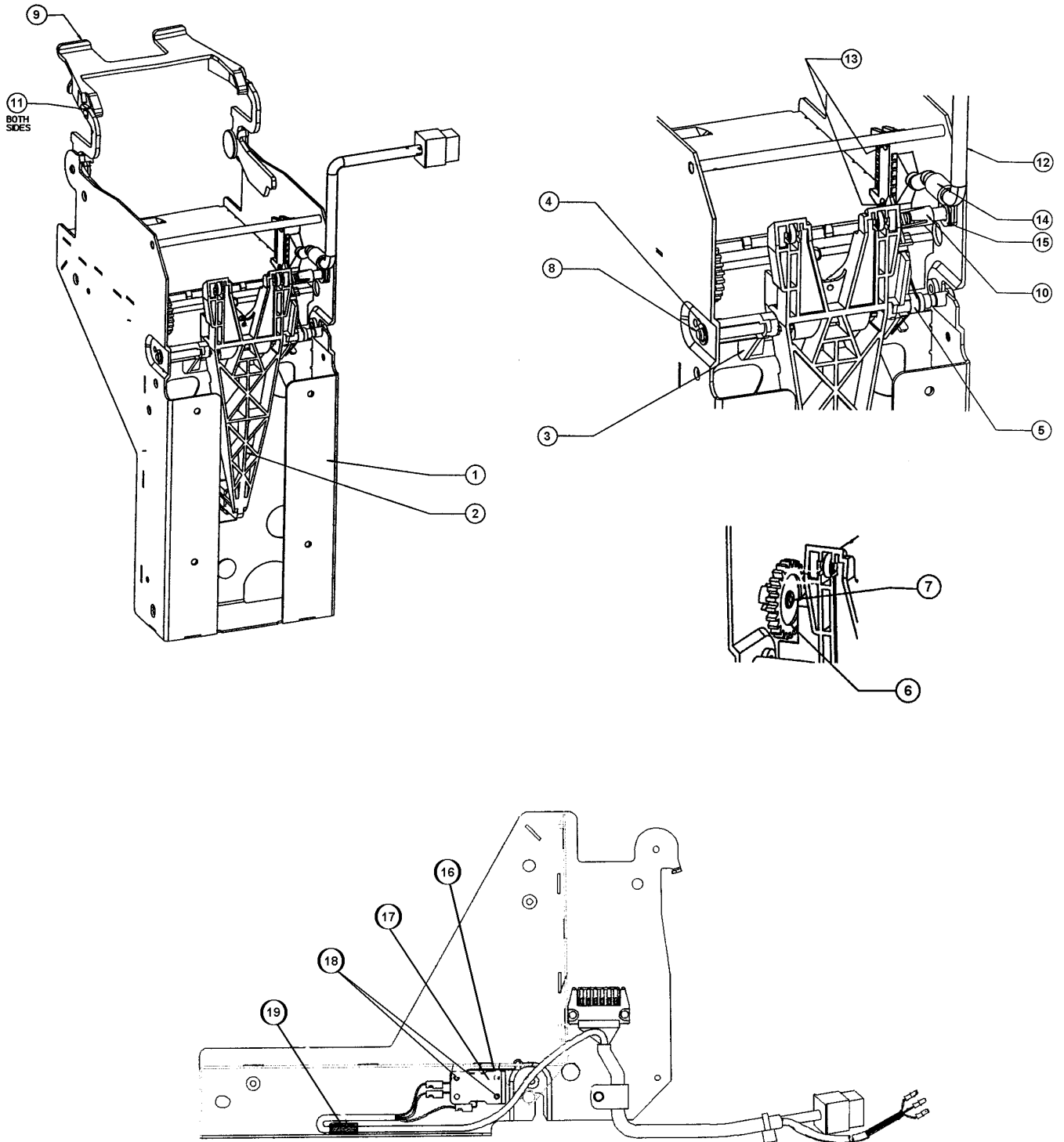
ZT1100 Bill Acceptor Assembly.....	Page 3, 4
ZT1100 Chassis Assembly.....	Page 5, 6
ZT1100 Cassette Assembly.....	Page 7, 8
ZT1100 Cassette Plastics Outer Assembly.....	Page 9, 10
ZT1100 Cassette Plastics Inner Assembly.....	Page 11, 12
ZT1100 RTU Assembly.....	Page 13, 14
ZT1100 RTU Housing Assembly.....	Page 15, 16
ZT1100 Optics Housing Assembly.....	Page 17, 18
RTU Cover 67 - 72mm Assembly.....	Page 19, 20
ZT1100 Series Spare Parts Price List.....	Appendix

This page intentionally left blank.

ZT1100 Bill Acceptor Assembly

Ref Num	Description	Qty	Part Number
1	Chassis Assembly	1	see pp. 5, 6
2	Cassette or "Cash Can" Assembly	1	see pp. 7, 8
3	RTU (Recognition Transport Unit) or "Head" Assembly (Boxed) ZT1101 US ZT1101 CA (Canada) ZT1101 US P ZT1102 US (Pulse) ZT1102 USN (Netplex) ZT1103 US ZT1103 AU (Australia) ZT1104 US ZT1105 US ZT1107 AU	1	251004033 251015078 251004055 251002017 251003047 251002039 251008036 251004050 251000052 251005068
4	Jumper, Unit Interface or "Pigtail" (Not on all Models) ZT1101 US and CA ZT1102 US and USN	1	251077015 251073017
5	ZT Jumper Plug (TRC Teach Plug)	5	208240001-PAK5
6	Calibration Paper (Qualified White Paper Template)	100	117950001-PAK100

ZT1100 Chassis Assembly

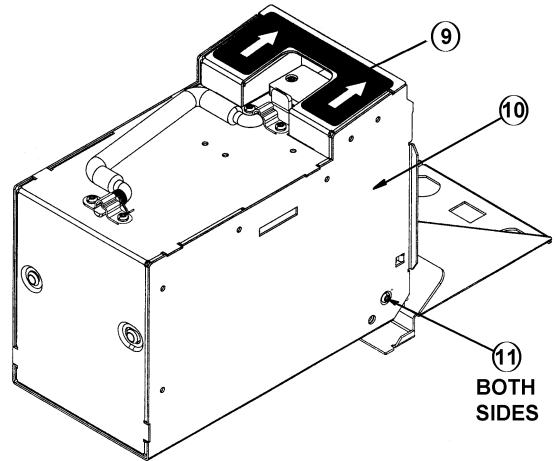
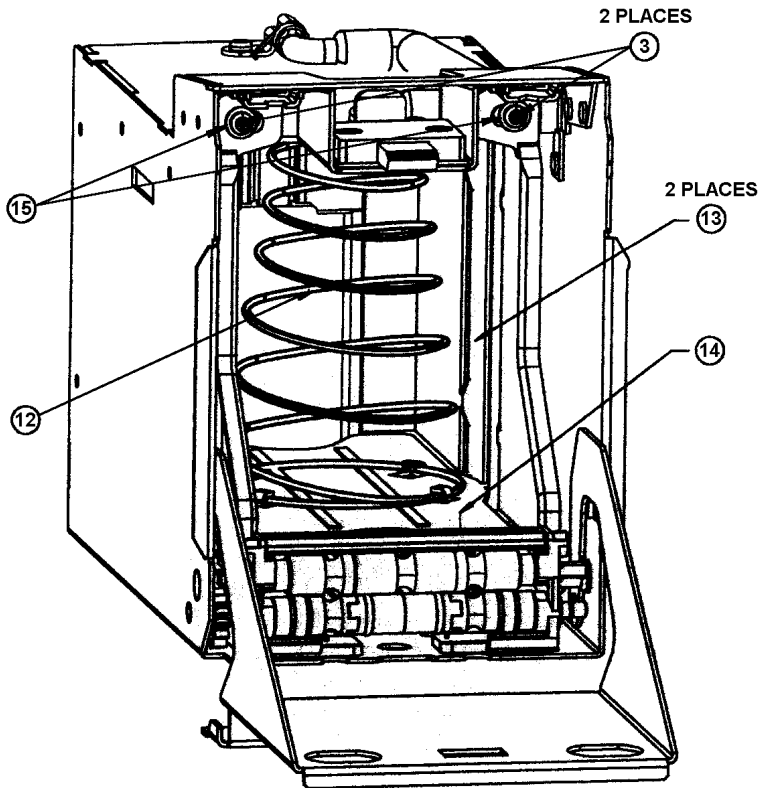
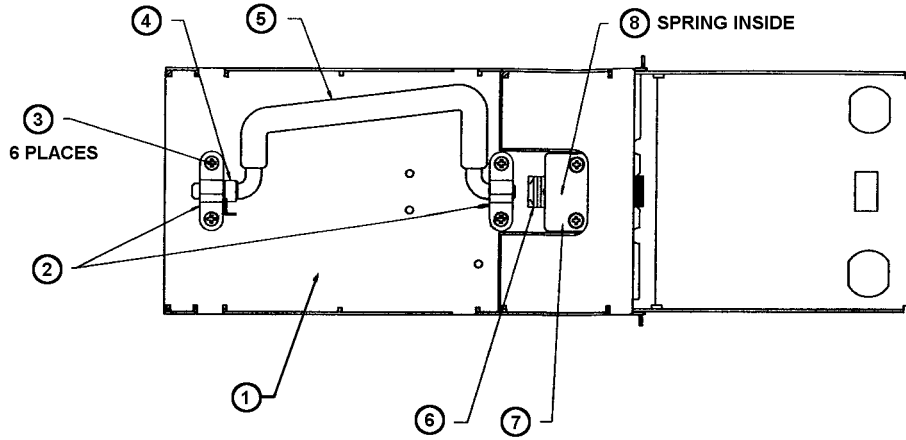


ZT1100 Chassis Assembly

Ref Num	Description	Qty	Part Number
1	ZT1100 Module Chassis , Packaged (without cassette present switch) (with cassette present switch)	1	251018063 251009049
2	SK Assy, Actuator Arm and Rollers	1	251019032
3	Lever Home Switch 1/4" Shaft PKG 10	1	251028095P
4	Retaining Ring, 4.77 DIA E Type	1	08-10-009 - PAK100
5	Spring Torsion 6.35 ID PKG25	1	251044039P
6	Gear 24T 24DP PKG 25	1	251020094P
7	Nut, Gear Retainer	1	251030102
8	Shaft, Actuator 1/4" DIA	1	251030107
9	Release Latch PKG 15	1	251026177P
10	Flag Home Switch PKG 50	1	251026091P
11	Retaining Ring (2.74 DIA) PK100	2	251041044P
12	Harness Chassis Docking (w/o cassette present switch) (with cassette present switch)**	1	251071013 251075033
13	Screw 4-40 Posidriv Panhead	2	08-00-138 - PAK100
14	Clip, Wire Holder PKG 50	1	251040053P
15	Push On Retainer PKG 100	1	251048054P
16**	Switch, Micro	1	251081001P
17**	Switch Plate	1	251030124P
18**	Screw, 4-40 x .750L Taptite Flathead PKG100	2	251049062P
19**	Wire Clip PKG10	1	251047063P

**** Parts used on Chassis with Cassette Present Switch**

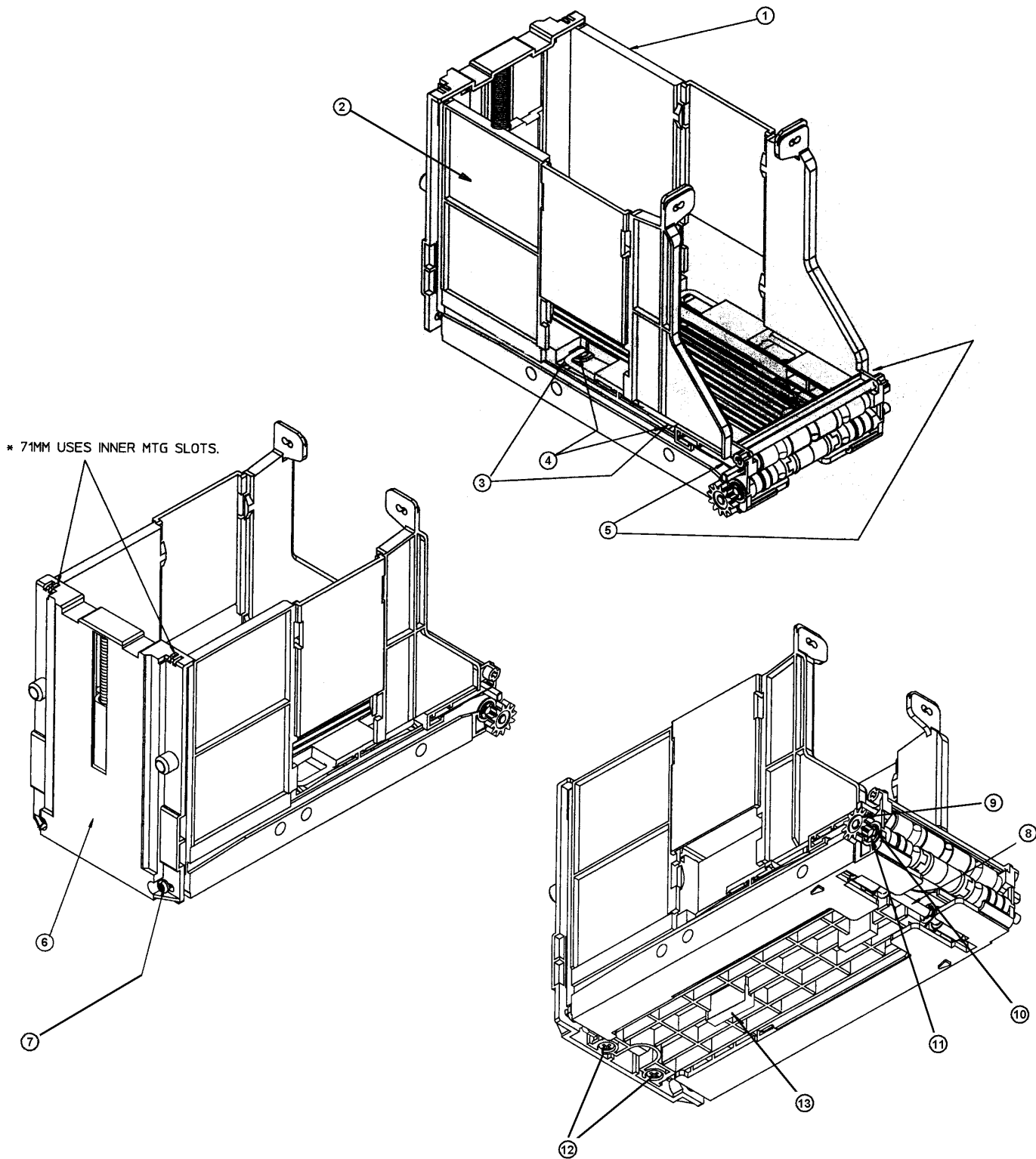
ZT1100 Cassette Assembly



ZT1100 Cassette Assembly

Ref Num	Description	Qty	Part Number
1	Cassette Assembly 67-71mm (Boxed) (w/o Arrow Label) (with Arrow Label)	1	251001004 251001048
2	Handle, Guide PKG 10	2	251038066P
3	Screw 4-40 x 1/4 Phillips	8	08-00-104 - PAK100
4	Spring, Torsion PKG 50	1	251036067P
5	Handle, PVC Coated PKG 5	1	251014043P
6	Latch, Release PKG 15	1	251037117P
7	Retainer, Latch PKG 25	1	251035054P
8	Spring, Compression 4.54 x 22.23 PKG 100	1	251049040P
9	Label, Arrow PKG15	1	251054049P
10	Assy, Cassette Housing and Door	1	251038120
11	Screw 4-20 x 6.35MM, P/H Plastit	2	08-00-141 - PAK100
12	Spring, Cassette Conical	1	251041061
13	Plate Elevator Side PKG10	2	251033055P
14	Plate Pressure 71 MM PKG2	1	251039079P
15	Washer #4 Flat	2	08-06-003 - PAK100

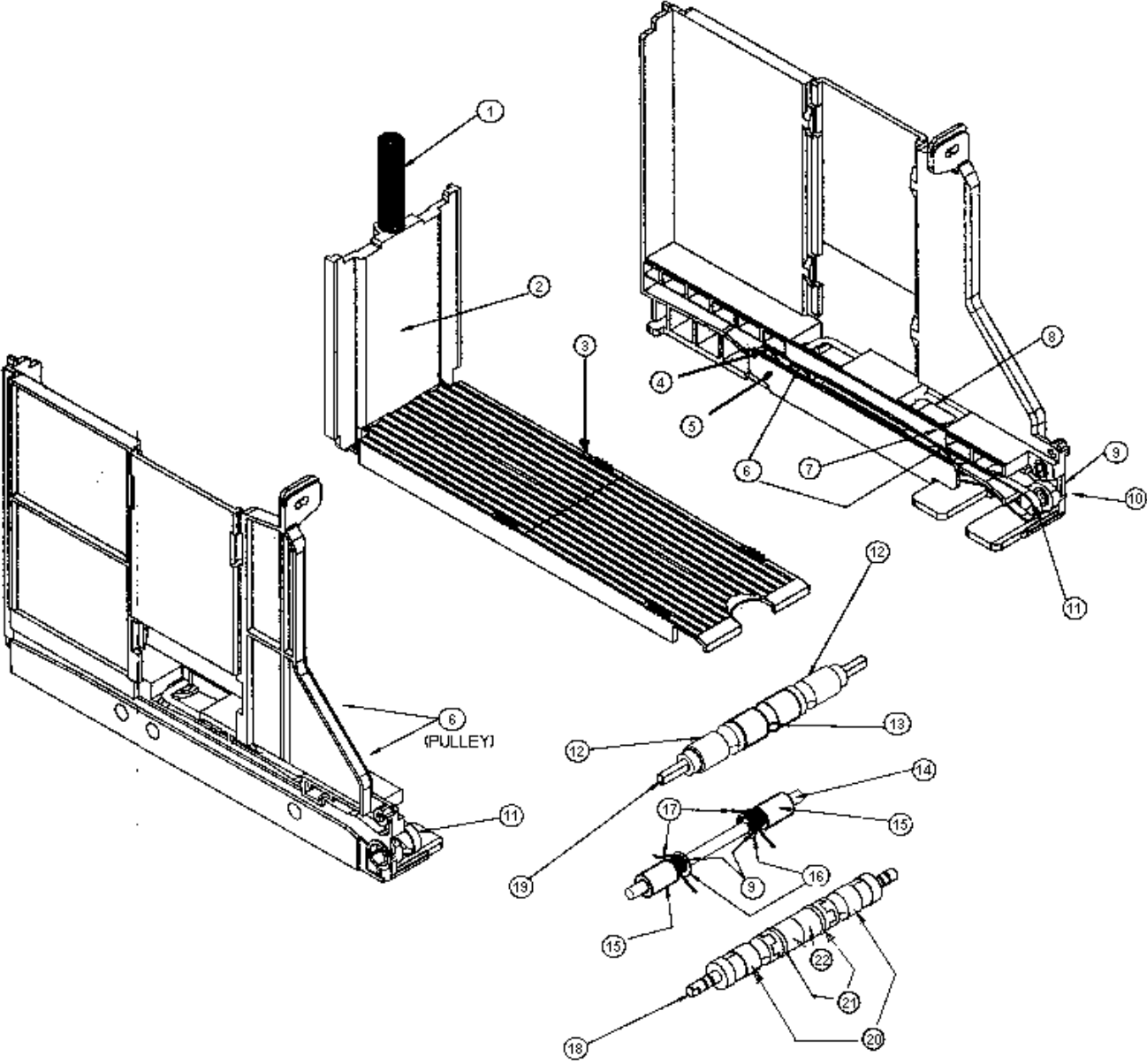
ZT1100 Cassette Plastics Outer Assembly



ZT1100 Cassette Plastics Outer Assembly

Ref Num	Description	Qty	Part Number
1	Elevator, Left Side 67-71 MM PKG2	1	251024134P
2	Elevator, Right Side 67-71 MM PKG2	1	251022135P
3	Spring, Flat PKG100	4	251043009P
4	Bearing, Pinch PKG100	4	250022045P
5	Spring, Flat PKG100	2	251041027P
6	Bridge, Elevator 71 / 77 MM PKG2	1	251025022P
7	Screw #4 Pan	2	08-00-121 - PAK100
8	Shaft, Idler 71 MM Bill Path PKG15	1	251034080P
9	Gear, 12T / 24DP PKG 25	1	251021024P
10	Retaining Ring 3.97 DIA PKG100	4	251044034P
11	Bushing, 4.02 ID x 7.886 OD PKG 50	2	251028051P
12	Screw, #6 - 19x19.05 Plast PH PHL PKG100	2	251041022P
13	Clip, pusher base. PKG100	1	251033094P

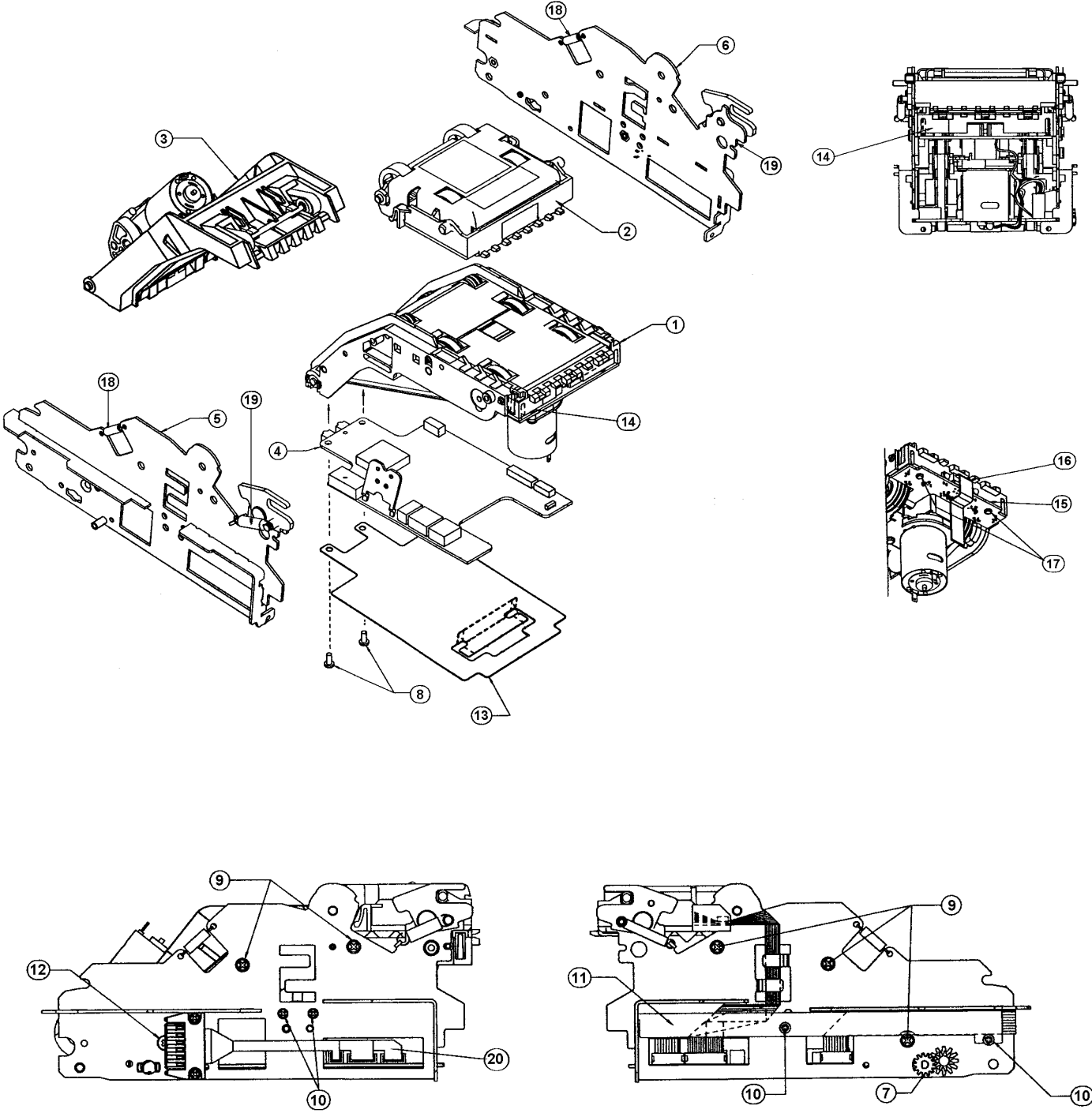
ZT1100 Cassette Plastics Inner Assembly



ZT1100 Cassette Plastics Inner Assembly

Ref Num	Description	Qty	Part Number
1	Spring Compression GLC Slider PKG100	1	251046033P
2	Pusher Slider PKG5	1	251027021P
3	Pusher Base 71 MM	1	251022059P
4	Pulley, Flat PKG 50	2	251026030P
5	Retainer, Pulley PKG 25	2	251029025P
6	Pulley Flat 11MM (With Flange) PKG 100	4	251028110P
7	Bearing, Pinch PKG100	4	250022045P
8	Spring, Flat PKG100	4	251043009P
9	Retaining Ring 3.97 DIA PKG100	4	251044034P
10	Bushing, 4.02 ID x 7.886 OD PKG 50	2	251028051P
11	Belt, Flat Endless PKG 50	2	251028034P
12	Roller, Nip, End 71 MM Bill Path PKG25	2	251027060P
13	Roller, Nip, Center PKG25	1	251022032P
14	Shaft, Idler 71 MM Bill Path PKG15	1	251034080P
15	Pulley, Tension PKG25	2	251024031P
16	Washer No. 8 Nylon 0.51 THK PKG100	2	251042035P
17	Spring, Torsion PKG 50	2	251046011P
18	Shaft, Drive 71 / 77 MM PKG15	1	251035032P
19	Shaft, Roller 71 MM Bill Path PKG2	1	251032081P
20	Pulley, Drive Crown 71 MM PKG25	2	251025061P
21	O Ring PKG25	2	251044012P
22	Roller, Lug PKG50	2	251023028P

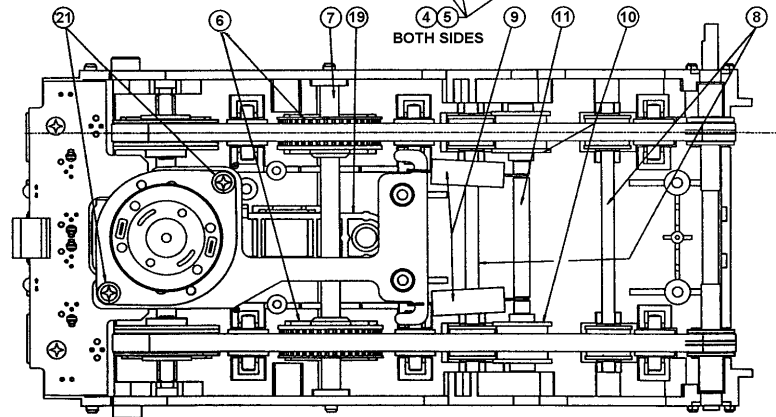
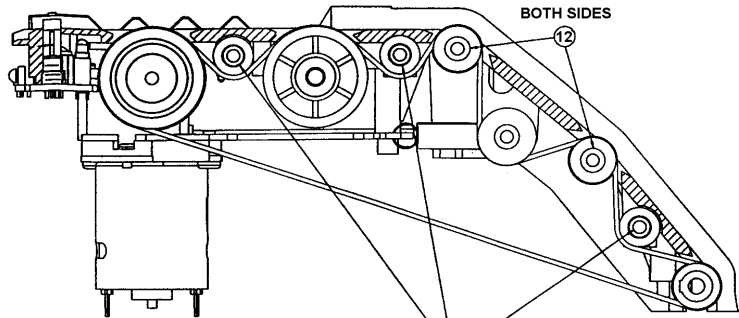
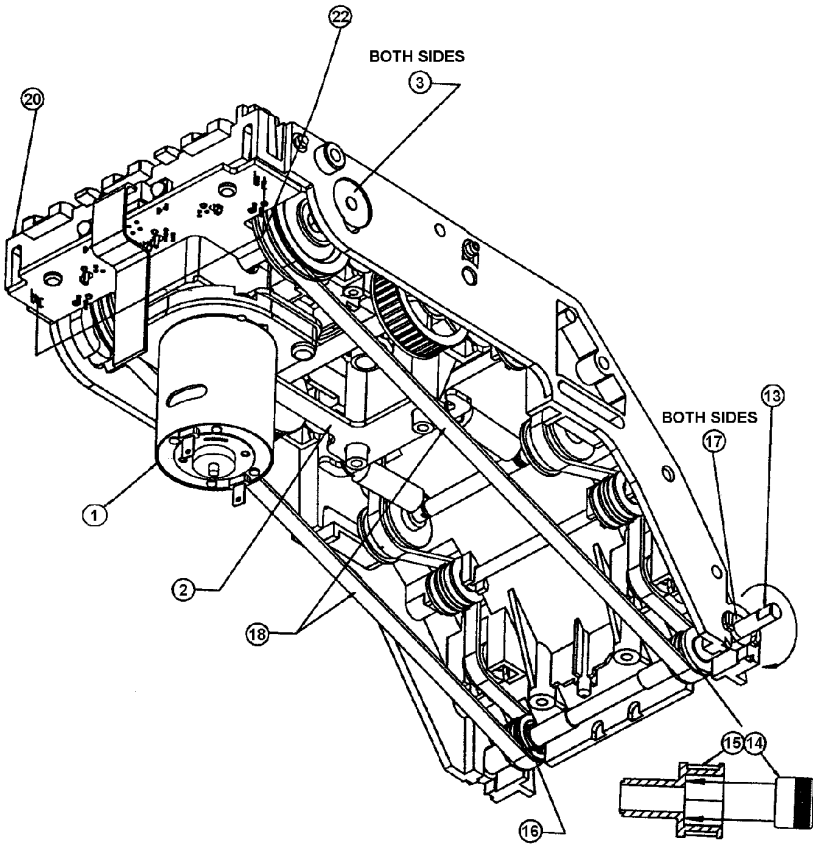
ZT1100 RTU Assembly



ZT1100 RTU Assembly

Ref Num	Description	Qty	Part Number
1	Assy. ZT1000 RTU Housing 67mm MK2	1	see pp. 15, 16
2	Assy, ZT1000 Optics Housing 67mm MK2	1	see pp.17, 18
3	Assy, RTU Cover 67-72-mm Hi Spd	1	see pp.19, 20
4	SK Assy, ZT1000 MK2 Control Board	1	251062050
5	Assy. L. H. Sideplate (Docking)	1	251016064
6	Assy, RH Side RTU + Hardware	1	251019015
7	Gear, 13T / 32 DP PKG 25	1	251020011P
8	Screw #4 Pan	2	08-00-121 - PAK100
9	Screw 6 X .312 Plastite	5	08-00-242 - PAK100
10	Screw 4-40 Posidriv Pan Head	4	08-00-138 - PAK100
11	Cable Clamp PKG 5	1	251031090P
12	Screw, 6-19x5 / 16-100 Flhd Plast PK100	1	251044045P
13	Shield, Control PCB ZT1000 PKG 50	1	251024112P
14	Lens, LED PKG 25	1	250029033P
15	SK Assy, ZT1000 MK2 LED Board	1	251060051
16	Cable, ZT LED/Control 10 Pos PKG 5	1	251073012P
17	Screw, 2-28 x 1/4 Lg Pan HD Posi	2	08-00-066 - PAK100
18	Spring, Ext - Cover Latch PKG25	2	251045025P
19	Spring, Ext - Optics Latch PKG 50	2	251047024P
20	RTU Docking Station Cable ZT1101 US and CA ZT1102 US and USN ZT1103 US and AU ZT1104 US and ZT1105 US	1	251077010 251074020 251076007 251074020

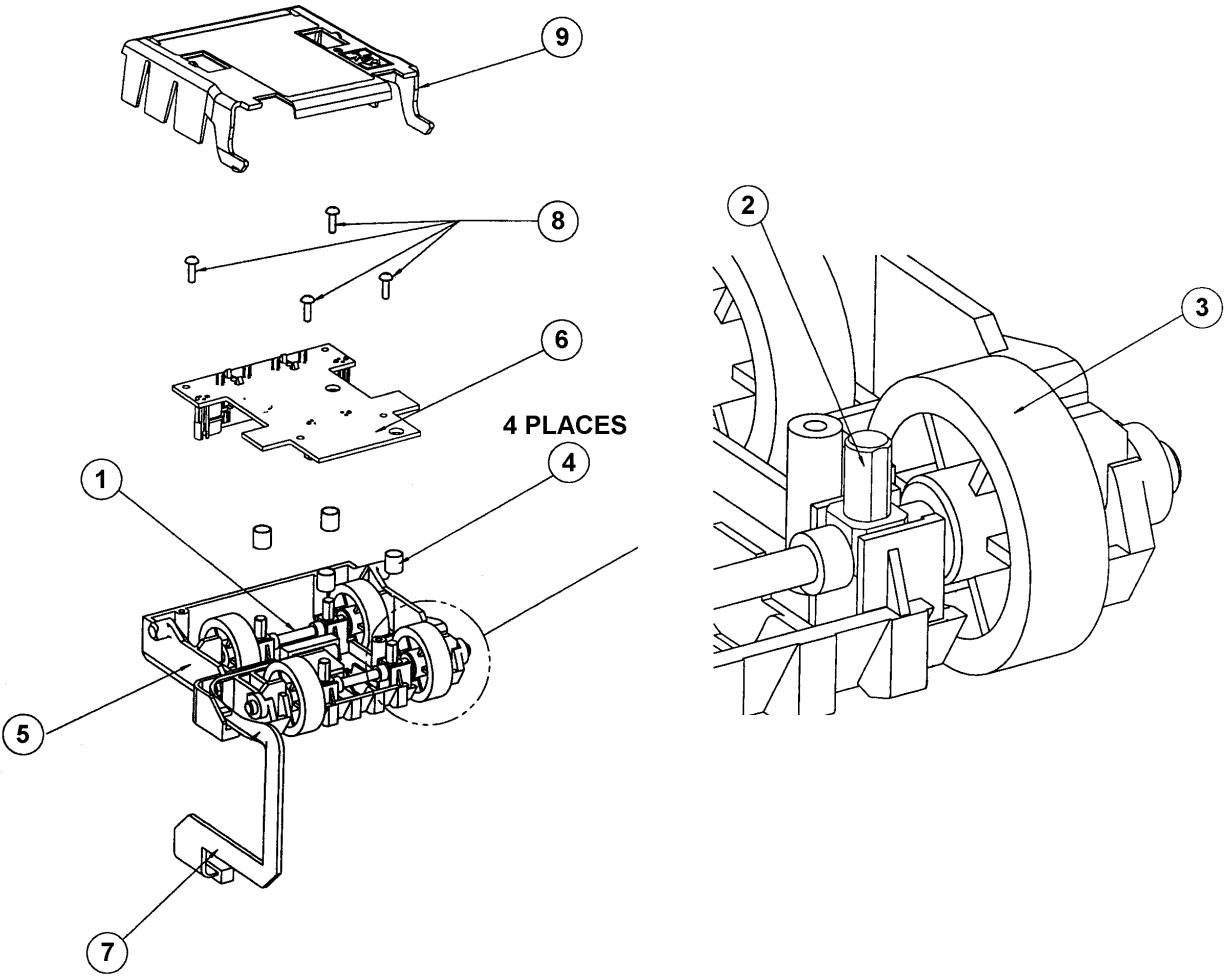
ZT1100 RTU Housing Assembly



ZT1100 RTU Housing Assembly

Ref Num	Description	Qty	Part Number
1	SK Assy. RTU Trnsp High Spd / Lo Noise	1	251069048
2	Brkt, Transport Motor Stabilizer PKG 10	1	251033077P
3	Bushing, Transport Drive PKG 50	2	251024058P
4	Pulley, 10 mm DIA RTU Timing PKG 25	6	251022015P
5	Pin, Dowel 3.175 DIA x 14.288 PKG 100	6	251036089P
6	Pulley - Idling	2	09-02-006 - PAK25
7	Shaft, RTU Idler 4.76 DIA x 86.0 PKG 5	1	251039074P
8	Shaft RTU Secondary Idler PKG 25	2	251033011P
9	Spring, Extension - RTU Belts PKG 50	2	251043026P
10	Shaft, Tensioner RTU PKG 5	1	251034007P
11	Pulley Idle, Tension RTU PKG 25	2	251024036P
12	Pulley 18T Timing 3.22 DIA Hole PKG 25	4	251022010P
13	Shaft, Driven RTU PKG 5	1	251036006P
14	Clutch Roller With Knurl	1	251042030
15	Pulley, 18T Clutch PKG 25	1	251027102P
16	Pulley 18T Timing 3.98 DIA Hole PKG 25	1	251027009P
17	Bushing, 4.02 ID x 7.886 OD PKG 50	2	251028051P
18	Timing Belt 205T MXL (ESD) PKG 100	2	251029140P
19	Insert, RTU Pinch Roller PKG 25	1	251029123P
20	Housing, RTU-67mm Path (US and AU) Housing, RTU-71mm Path (CAN)	1	251020131 251027141
21	Screw 4-40 x 9.52 mm PZ P/H TT	2	08-00-140 - PAK100
22	Prism X Channel High Performance PKG 50	2	251027129P

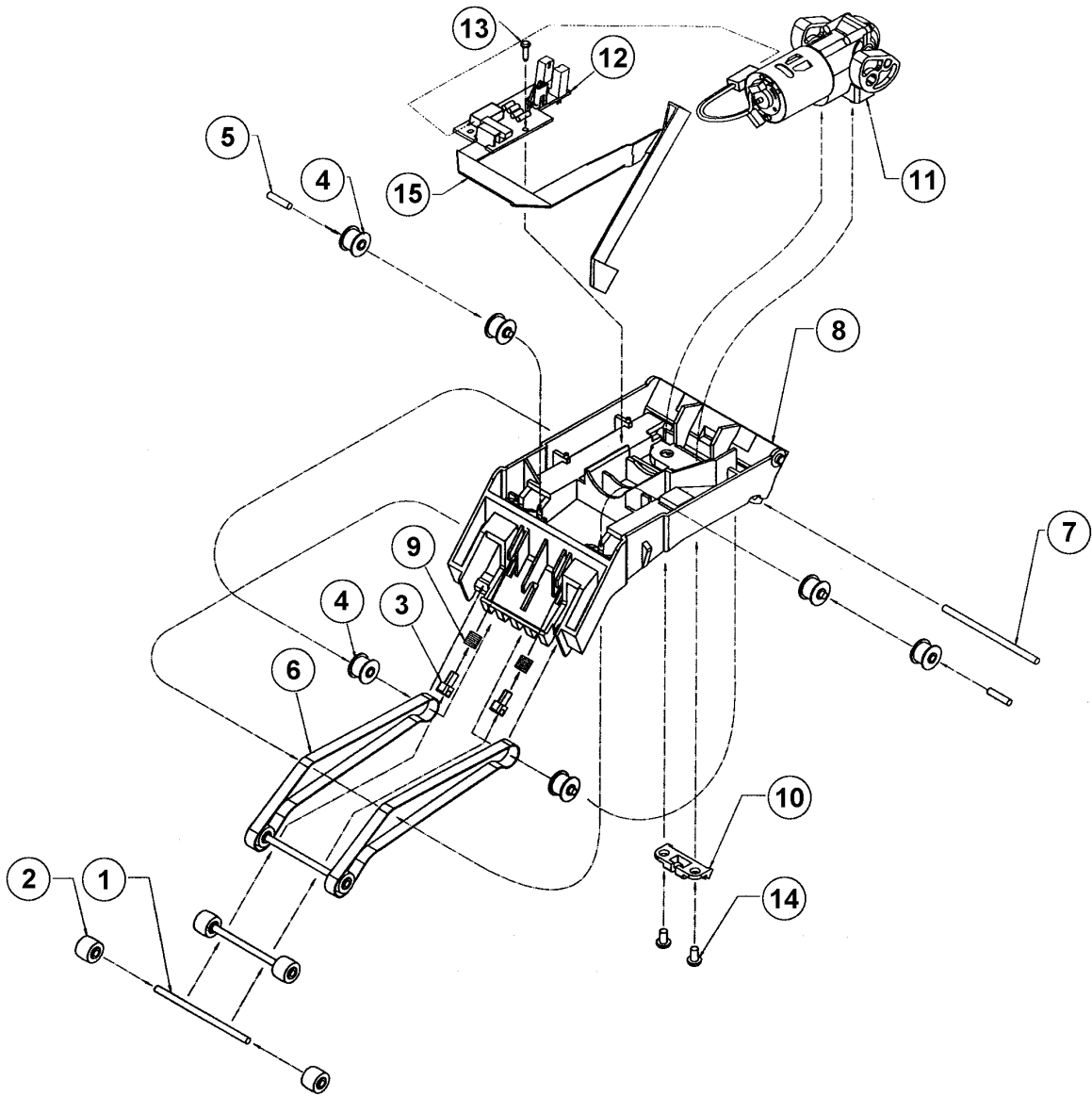
ZT1100 Optics Housing Assembly



ZT1100 Optics Housing Assembly

Ref Num	Description	Qty	Part Number
1	Shaft Optics Idler 5.56 D x 60.4 PKG 2	2	251031073P
2	Spring Holder (Long)	4	04-16-037 - PAK100
3	Wheel	4	04-02-058 - PAK25
4	Spring, Compression PKG 100	4	251047029P
5	Housing, Optics 67 mm PK 5 (US and AU) Housing, Optics 71mm (CAN)	1	251027124P 251025142
6	SK Assy ZT1000 MK2 Optics Board	1	251066053
7	Cable Optics Bd - Control Bd PKG 5	1	251078001P
8	Screw 2-28 x 1/4 Lg Pan Hd Posi	4	08-00-066 - PAK100
9	Cover, RTU Sensor Housing	1	251025088

RTU Cover 67 - 72mm Assembly



RTU Cover 67 - 72mm Assembly

Ref Num	Description	Qty	Part Number
1	Shaft Tensioner, RTU Cover PKG 15	1	251038049P
2	Pulley Crowned RTU PKG 50	2	251023001P
3	Spring Holder (Long)	2	04-16-037 - PAK100
4	Pulley Idler 10mm Flanged PKG 25	4	251026035P
5	Pin, Dowel 3.175 DIA x 14.288 PKG 100	2	251036089P
6	Belt, Flat, Endless PKG 100	2	251024014P
7	Shaft, Cover Idler 3.125 x 73.5 PKG 25	1	251037112P
8	Cover, RTU 72 mm PKG 2	1	251021127P
9	Spring, Compression RTU Cover PKG 100	2	251040036P
10	Prism, RTU Exit Sensor PKG 15	1	251021080P
11	SK Assy, RTU Stkr Hi Spd / Low Noise	1	251067049
12	SK Assy, PCB - ZT1000 Stacker Bd.	1	251068052
13	Screw 2-28 x 1/4 Lg Pan P/H Posi	1	08-00-066 - PAK100
14	Screw 6 x 0.375 P/H PZ Plastite PKG 100	2	08-00-234P
15	Cable Stacker Bd - Control Bd PKG 10	1	251074003P