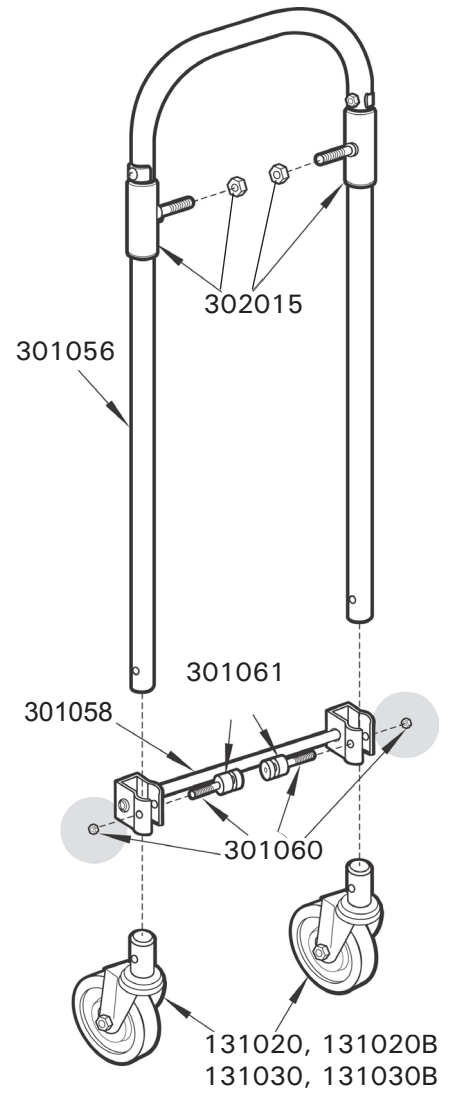
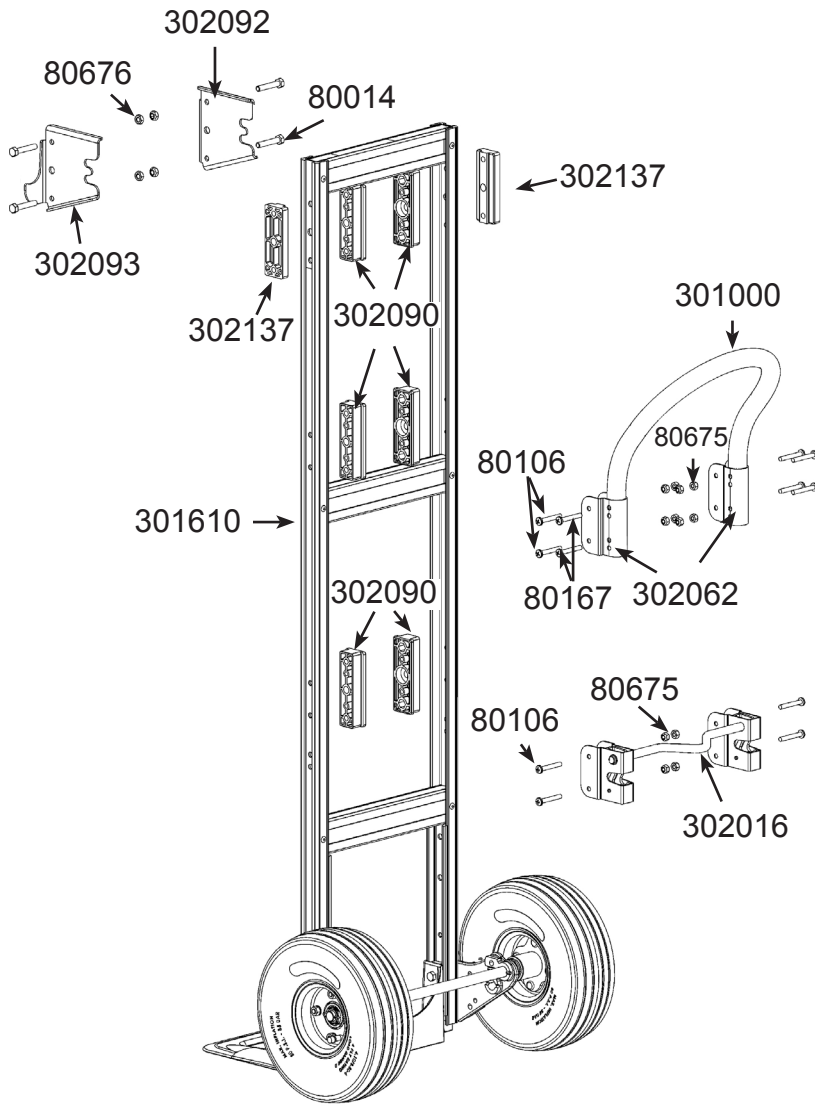
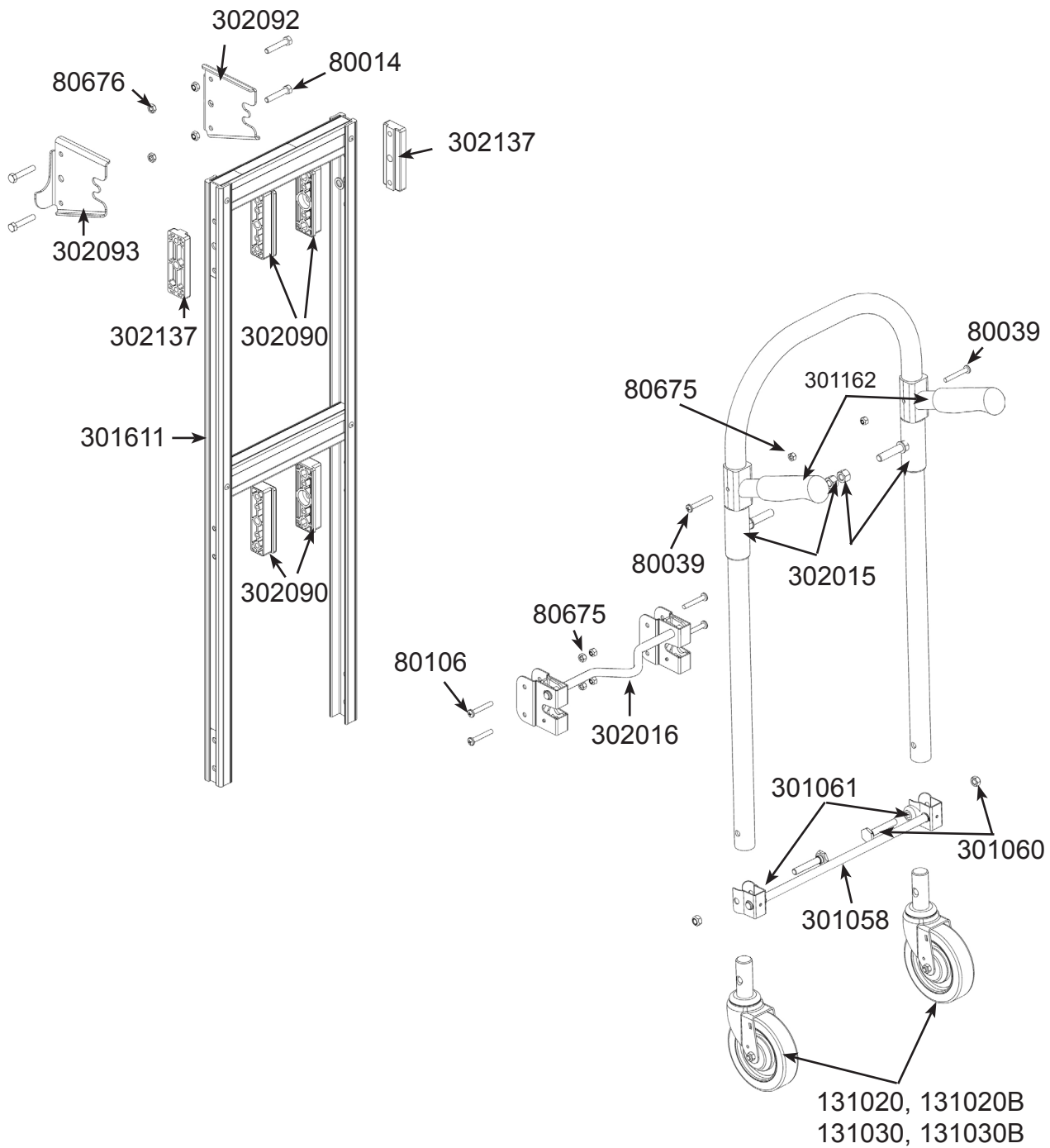


Gemini® Sr. Replacement Parts Detail



Gemini Jr.



Gemini® and Magliner® are registered trademarks of Magline, Inc.

www.magliner.com

Magline, Inc., 1205 West Cedar Street, Standish, MI 48658 • (800) 624-5463, (989) 512-1000