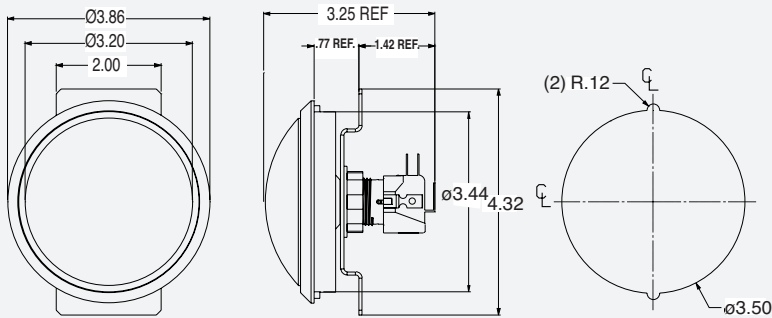


# Jumbo IPB Button

## 3.86" Diameter Illuminated Pushbutton

- Made with the highest quality materials
- Exclusive "Posi-Lock" design assures secure fit
- Fits wood or metal control panels
- Polycarbonate lens cap for optical clarity
- Heat resistant plastic
- Microswitch reliability tested to 10,000,000 cycles



Part Number	Description
75-4002-10ZL	Jumbo IPM Pushbutton

**SUZO-HAPP GROUP**

1743 Linneman Road Mount Prospect, IL 60056  
 Phone 847-593-6130 | Fax 847-593-6137  
 Toll Free Phone 888-289-4277 | Las Vegas Phone 888-289-4277  
 Toll Free Fax 800-593-4277

EASY-TO-USE  
 SHOPPING CART ONLINE  
 24 HOURS A DAY

[suzohapp.com](http://suzohapp.com)

SAFE SIGN-UP FOR  
 EMAIL PROMOTIONS  
 NOT AVAILABLE IN OUR  
 PRINT FLYERS  
 or sign-up at  
[na.suzohapp.com](http://na.suzohapp.com)

